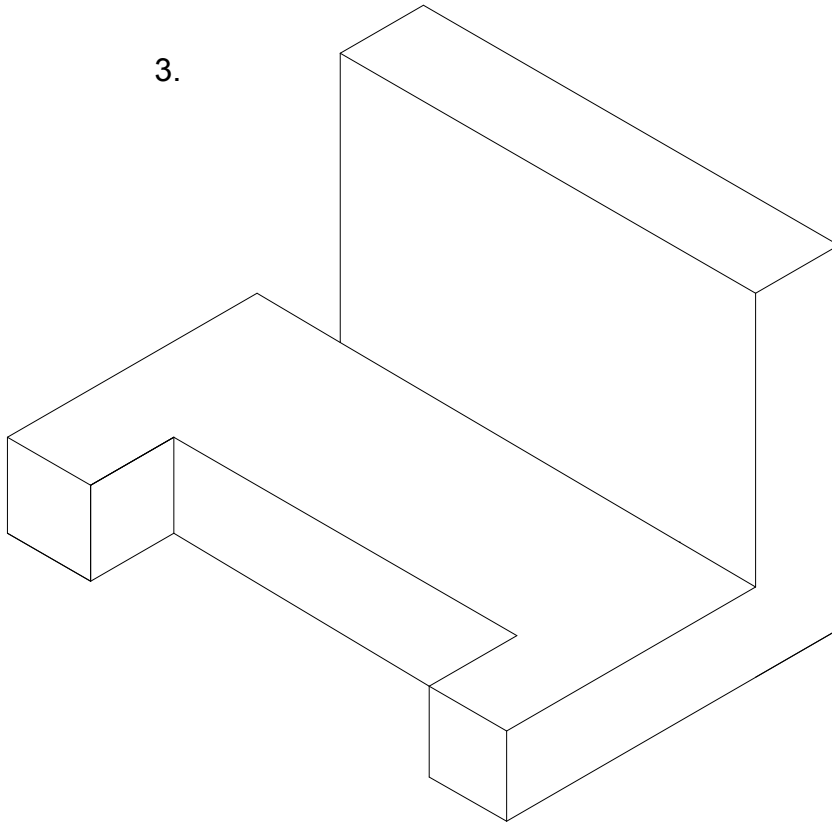
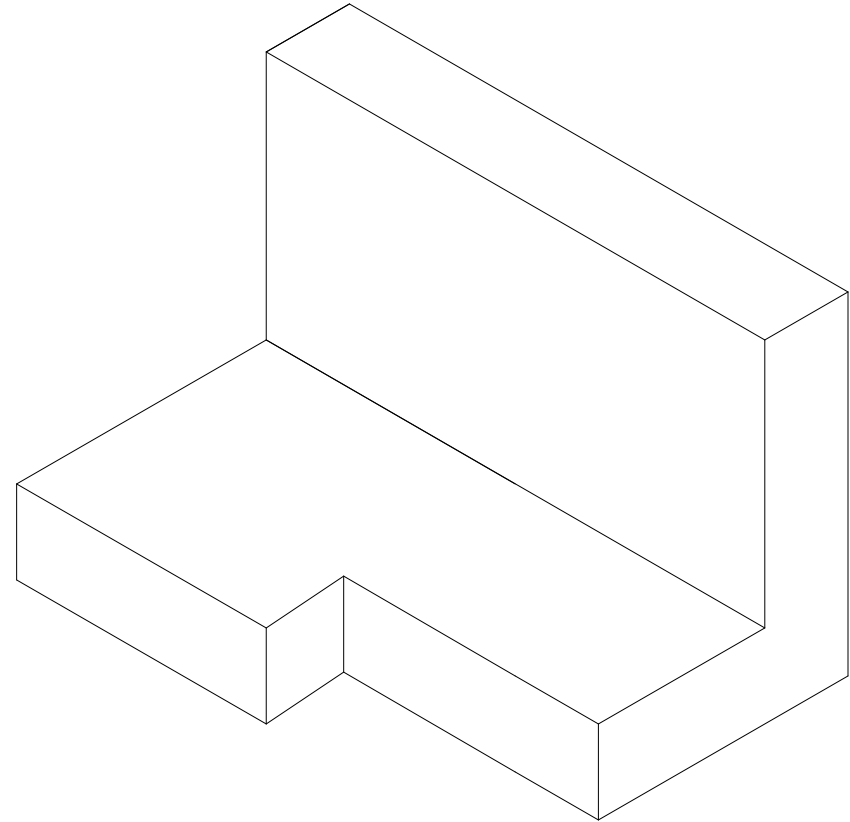


3.



4.



STEVENSON HIGH SCHOOL
TECHNOLOGY EDUCATION DEPARTMENT
TECHNICAL DRAWING PROGRAM

DRN BY: EMILY Z.

DATE: 11/3/11

SCALE: 1-1

ISO SKETCHING

1

1